

Product data sheet

Characteristics

MGA265002

Circuit Breaker, PowerPact M, I-Line, electronic trip, 500A, 2 pole, 18 kA, 600 VAC, lugs load end, AC phasing



Price*: 6633.00 USD



Main

| | |
|---------------------------|-----------------|
| Product or component type | Circuit breaker |
|---------------------------|-----------------|

Complementary

| | |
|---------------------------|--|
| Line Rated Current | 500 A |
| Poles description | 2P |
| Breaking capacity code | G |
| Magnetic tripping current | 1000...5000 A |
| Electrical connection | I-Line connection line Lugs load |
| Terminal identifier | AL800M23K |
| Tightening torque | 442.54 Lbf.In (50 N.m) 0.15...0.37 in ² (95...240 mm ²) (AWG 3/0...500 kcmil) |
| Height | 12.86 In (326.6 mm) |
| Width | 0.32 In (8.06 mm) |
| Depth | 8.27 In (210 mm) |
| Continuous current rating | 80 % |

Ordering and shipping details

| | |
|---------------------|-----------------------------|
| Category | 01200-MG, MJ I-LINE BREAKER |
| Discount Schedule | DE2 |
| GTIN | 00785901495864 |
| Package weight(Lbs) | 28.00 Lb(US) (12.701 kg) |
| Returnability | Yes |
| Country of origin | US |

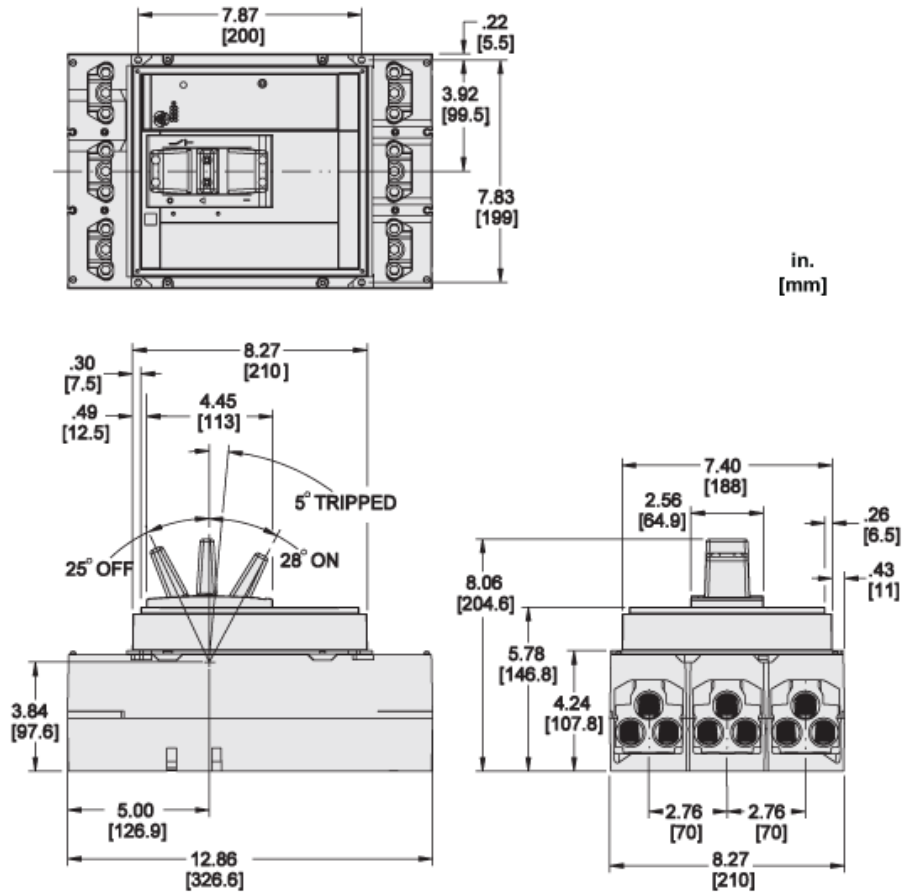
Offer Sustainability

| | |
|----------------------------|--|
| Sustainable offer status | Green Premium product |
| California proposition 65 | WARNING: This product can expose you to chemicals including: DIN-P, which is known to the State of California to cause cancer, and DID-P, which is known to the State of California to cause birth defects or other reproductive harm. For more information go to www.P65Warnings.ca.gov |
| REACH Regulation | REACH Declaration |
| EU RoHS Directive | Compliant EU RoHS Declaration |
| Mercury free | Yes |
| RoHS exemption information | Yes |
| China RoHS Regulation | China RoHS Declaration |
| Environmental Disclosure | Product Environmental Profile |
| Circularity Profile | End Of Life Information |
| PVC free | Yes |

Contractual warranty

| | |
|----------|-----------|
| Warranty | 18 months |
|----------|-----------|

Approximate Dimensions



Product Life Status : **End of commerc. announced**

MGA265002 may be replaced by any of the following products:



MGA26800E102

Circuit breaker, PowerPact M, I-Line, adj trip, 300A-800A, 2 pole, 18 kA, 600 V

Qty 1

Substitution date: |